

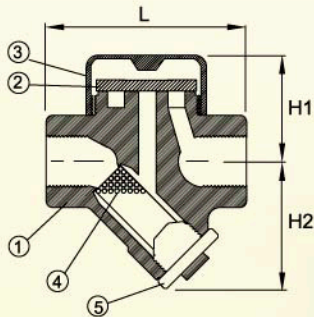
TL-63SS

Steam Trap Screwed Ends

- Material: CF8M PN40 / ANSI-600LB
- Size: 3/8"~1"

Material list

NO	Parts name	Material
1	Body	A351-CF8M
2	Disc	AISI 420
3	Cap	A351-CF8M
4	Screen	SUS 304
5	Strainer cap	A351-CF8M



Dimensions

UNIT : M/M				
INCH	L	H1	H2	KG
3/8"	78	46	53	1
1/2"	78	46	53	1
3/4"	88	49	57	1.1
1"	98	51	63	1.4