

INVERTED BUCKET STEAM TRAPS IB30S (Carbon steel / stainless steel) IB30SS (All stainless steel)

DESCRIPTION

IB 30 series inverted bucket steam traps are recommended for all services where the most important requirements are overall operating efficiency and long, trouble-free service life. They operate intermittently, either wide open or tightly closed and are therefore best suited for service at medium and high steam pressures.

Connections are female screwed or flanged .

MAIN FEATURES

Intermittent discharge.
Discharges condensate at steam temperature.
Unaffected by water hammer and vibrations.
Easy to maintain.

USE: Saturated and superheated steam.

AVAILABLE

MODELS: IB30S and IB30SS

SIZES: IB30S-DN ½" -DN1" ;DN15 - DN25
IB30SS-DN ½" -DN3/4" ;DN15 - DN20

CONNECTIONS: Female screwed ISO7/1 Rp (BS21)

Flanged DIN or ANSI

INSTALLATION: Horizontal installation
See IMI installation and maintenance instructions.

PMA – Max.allowable pressure 40 bar

TMA – Max.allowable temperature 425 °C

PMO – Max.operating pressure 27 bar

TMO – Max.operating temperature 380 °C

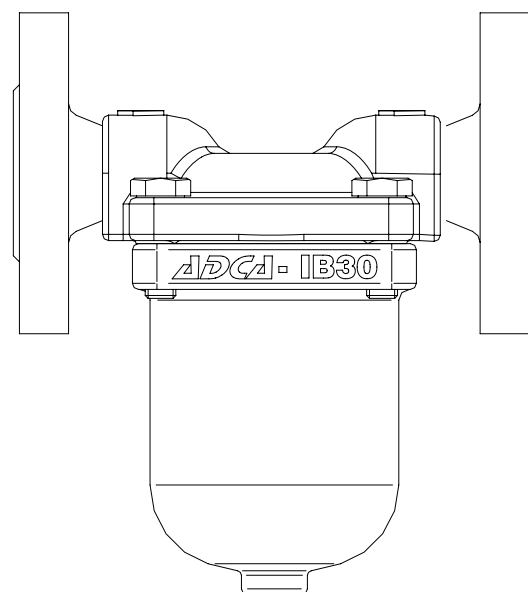
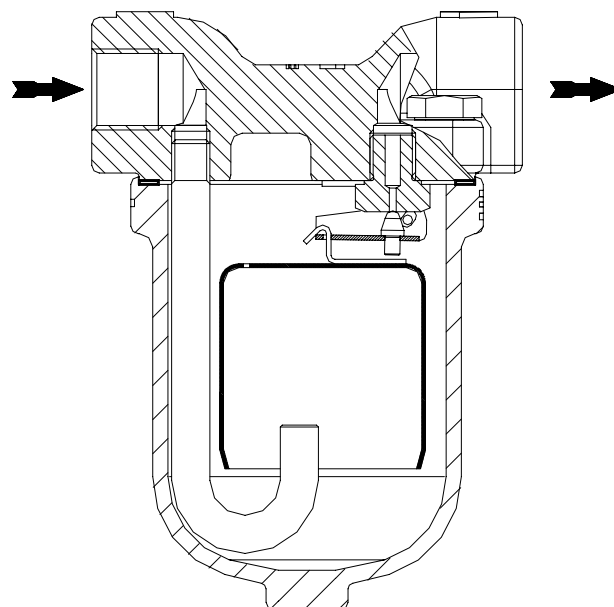
How to order:i.e. IB30S-8 DN ½" BSP

MAX. DIFFERENTIAL PRESSURE

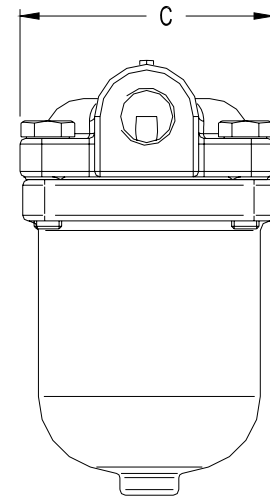
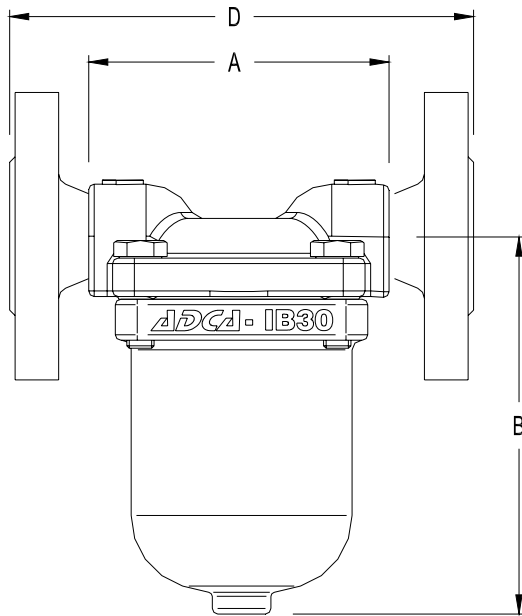
IB30S-4 – IB30SS-4 : 4 bar

IB30S-8 – IB30SS-8 : 8 bar

IB30S-12 – IB30SS-12: 12 bar



MODEL	SIZE	DIFFERENTIAL PRESSURE (bar)											
		1	2	3	4	5	6	7	8	10	11	12	
IB30-4	15 - 25	280	390	470	530								
IB30-8	15 - 25	190	260	320	360	400	430	460	500				
IB30-12	15 - 25	160	220	260	290	320	360	370	400	440	480	490	



DIMENSIONS (mm)				DIN Flanges		
SIZE DN	A	B	C	WGT. Kgs	D	WGT. Kgs
15	110	125	92	2,3	170	3,8
20	110	125	92	2,3	170	4,3
25	110	125	92	2,3	180	4,9

POS.Nr.	DESIGNATION	MATERIAL
1	Body	C22.8 / AISI 316
2	Cover	AISI 316
3 *	Gasket	Non asbestos
4 *	Seat	AISI 410
5 *	Valve	AISI 410
6 *	Lever	AISI 304
7 *	Bucket	AISI 304
8	Inlet tube	AISI 304
9	Bolts	Steel 8.8 / A2
10**	Anti-freeze device	AISI 304

* Available spare parts

**Optional

