

INVERTED BUCKET STEAM TRAPS IB 12

DESCRIPTION

IB12 series inverted bucket steam traps are recommended for all services where the most important requirements are overall operating efficiency and long, trouble-free service life.

They operate intermittently, either wide open or tightly closed and are therefore best suited for service at medium and high steam pressures.

Connections are female screwed for horizontal installation.

MAIN FEATURES

Intermittent discharge.

Discharges condensate at steam temperature.

Unaffected by water hammer and vibrations.

Easy to maintain.

USE: Saturated and superheated steam.

AVAILABLE

MODELS: IB 12-4; IB12-8; IB12-12.

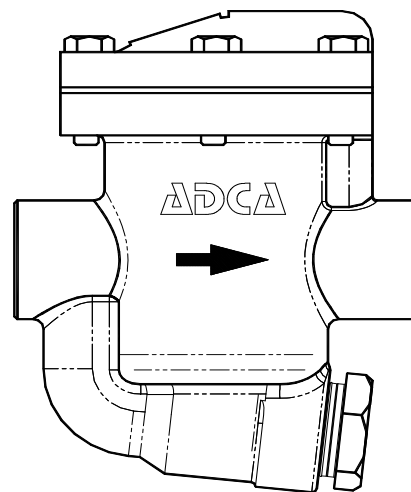
SIZES: DN 1/2" - 3/4"

CONNECTIONS: Female screwed ISO7/1 Rp (BS21)

Threaded flanges on request

INSTALLATION: Horizontal installation

See IMI installation and maintenance instructions.



BODY LIMITING CONDITIONS	
THREADED PN16 ALLOW. PRES.	RELATED TEMP.
16 bar	100 °C
15,5 bar	150 °C
14,7 bar	200 °C
13,9 bar	250 °C

PMO - Max. operating pressure 14 bar

TMO - Max. operating temperature 198 °C

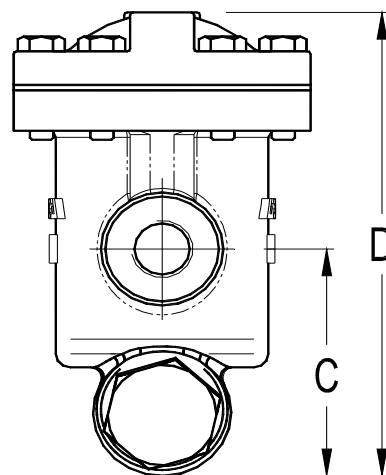
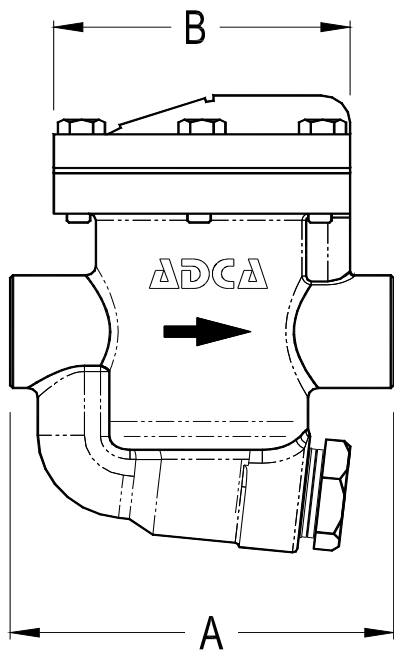
MAX. DIFFERENTIAL PRESSURE

IB12 - 4 : 4 bar

IB12 - 8 : 8 bar

IB12-12 : 12 bar

FLOW RATE CAPACITY IN Kgs/h												
MODEL	SIZE	DIFFERENTIAL PRESSURE (bar)										
		1	2	3	4	5	6	7	8	10	11	12
IB12-4	1/2" - 3/4"	280	390	470	530							
IB12-8	1/2" - 3/4"	190	260	320	360	400	430	460	500			
IB12-12	1/2" - 3/4"	160	220	260	290	320	360	370	400	440	480	490



DIMENSIONS (mm)					
SIZE DN	A	B	C	D	WGT. Kgs
1/2"	130	102	85	170	3,9
3/4"	130	102	85	170	3,9

MATERIALS		
POS.Nr.	DESIGNATION	MATERIAL
1	Body	GJS-400-15 / 0.7040
2	Cover	GJS-400-15 / 0.7040
3	*Gasket	Stainless St. / Graphite
4	*Seat	AISI 410 / 1.4006
5	*Valve	AISI 410 / 1.4006
6	*Lever	AISI 304 / 1.4301
7	*Bucket	AISI 304 / 1.4301
8	*Strainer screen	AISI 304 / 1.4301
9	Gasket	Stainless St. / Graphite
10	Plug	A105 / 1.0432
11	Bolts	Steel 8.8

* Available spare parts

