



Float and Thermostatic Steam Traps

Twin Float Steam Trap DN80 - DN100

FLT 22G/TW - Steel body / Cast iron cover

Description

FLT 22G/TW float and thermostatic (integral air vent) steam traps series are designed for all types of low and high pressure steam heating and process equipment. Typical applications include unit heaters, heat exchangers, driers, jacketed vessels and all the applications where continuous drainage is essential. Connections are flanged for horizontal application.

Main Features

- Modulating discharge.
- Discharges condensate at steam temperature.
- Unaffected by sudden or wide load and pressure changes.
- Excellent air discharge (by thermostatic air vent).

Use: Saturated and superheated steam.

Available

Models : FLT 22G/TW

Sizes : DN80 - DN100

Connections : Flanged DIN or ANSI

Installation : Horizontal standard installation.

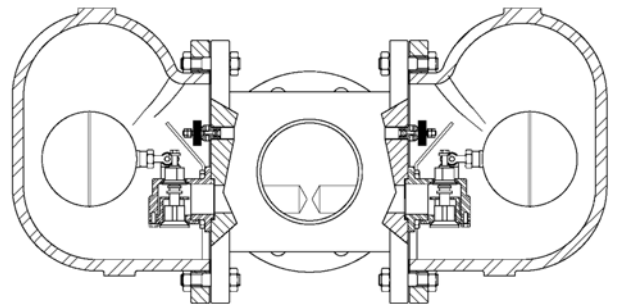
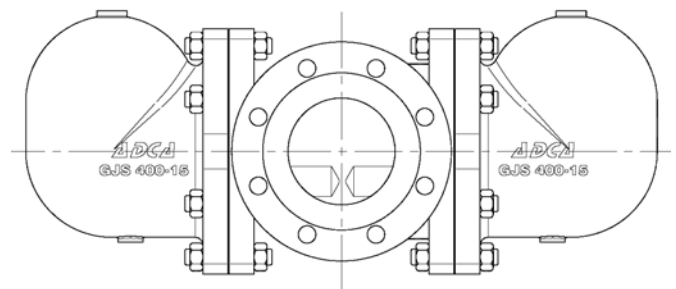
PMA : Max. allowable pressure 16 bar

TMA : Max. allowable temperature 250 °C

PMO : Max. operating pressure 14 bar

TMO : Max. operating temperature 198 °C

How to order i.e. FLT 22G/TW DN 80 DIN



Max. Differential pressure :

FLT 22G/TW - 4.5 - 4.5 bar

FLT 22G/TW - 10 - 10 bar

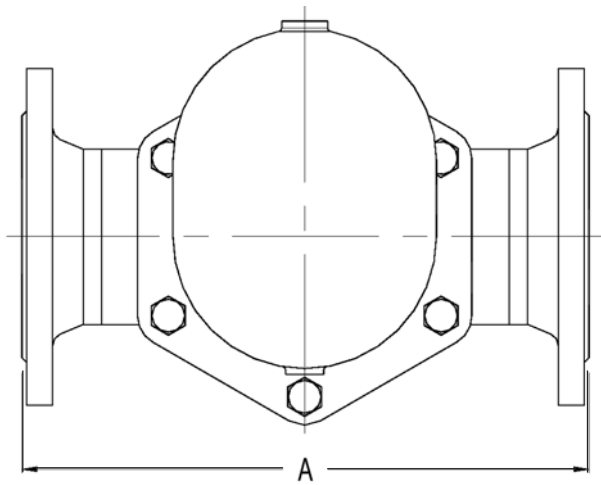
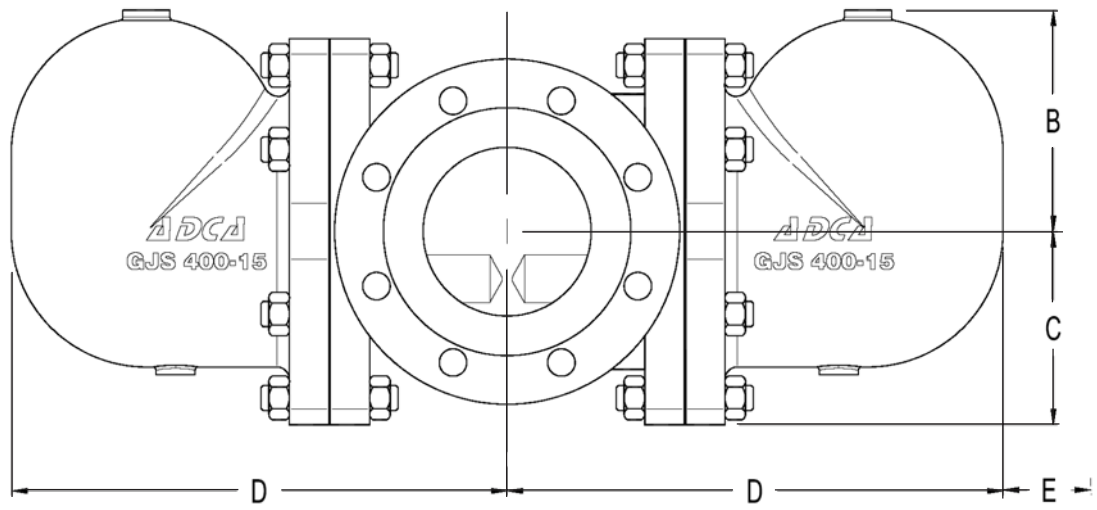
FLT 22G/TW - 14 - 14 bar

CE MARKING (PED - European Directive 97/23/EC)

PN 16	Category
DN80 - DN100	1 (CE Marked)

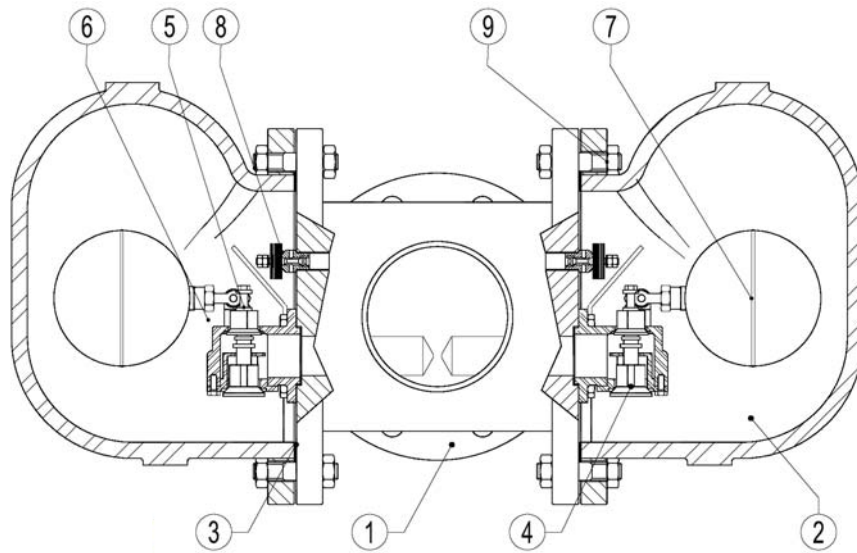
Flow rate capacity in kg/h

Model	Size	Differential Pressure (bar)									
		0.5	0.7	1	1.5	2	4.5	7	10	14	
FLT22G /TW - 4.5	80-100	15100	18100	22000	28000	31000	45000				
FLT22G /TW - 10	80-100	7800	8900	10000	12200	14200	20000	27500	32000		
FLT22G /TW - 14	80-100	3800	4600	5400	6200	7200	10000	13800	16200	19600	



Dimensions (mm) :

Size DN	A	B	C	D	E	Weight kg
80	350	141	123	300	200	69
100	350	141	123	300	200	71



Materials :

Pos.NR.	Designation	Material FLT2G/TW
1	Body	P250GH / 1.0460 ; P235GH / 1.0305 ; S355J2G3 / 1.0570 ; S235JRG2 / 1.0038
2	Cover	GJS - 400 - 15 / 0.7040
3*	*Gasket	Graphite
4*	*Seat	CF8 / 1.4308
5*	*Valve	AISI 420 / 1.4021
6*	*Lever	AISI 304 / 1.4301
7*	*Float	AISI 304 / 1.4301
8*	*Air vent	Stainless steel (Bimetalic)
9	Bolts	Steel 8.8

* Available spare parts