

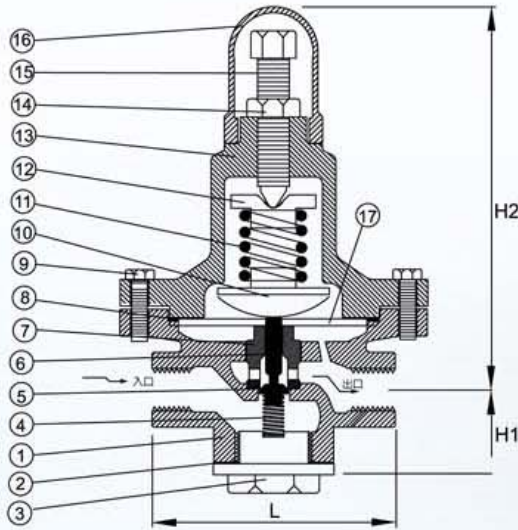
TL-15/15SS

Pressure Reducing Valve Screwed Ends

- Material: Cast Iron / ASTM A351 CF8
- Steam
- Size: 1/2"~2"

Working Condition

- Working pressure: 1-10 kg/cm²
- Working temperature: 200°C
- Medium: Steam, Air, Water



Material list

NO	Parts name	TL-15	TL-15SS	NO	Parts name	TL-15	TL-15SS
1	Body	Cast Iron	CF8	10	Spring knob	SS41	SS41
2	Gasket	Asbestos	Asbestos	11	Top spring	SUP-6	SUP-6
3	Bottom plug	Cast Iron	CF8	12	Spring holder	SS41	SS41
4	Bottom spring	SUP-6	SUP-6	13	Top ud	Cast Iron	CF8
5	Spring knob	PTFE	PTFE	14	Positoning nut	SS41	CF8
6	Stem	CF8	CF8	15	Adjusting screw	SS41	CF8
7	Stem guide	CF8	CF8	16	Top cap	Cast Iron	CF8
8	Gasket	Asbestos	Asbestos	17	Diaphragm disc	AIS-301	AIS-301
9	Bolt	SS41	CF8				

Dimensions

						UNIT : M/M
MM	INCH	L	H1	H2	KG	
15	1/2"	95	55	185	4	
20	3/4"	95	55	185	4.2	
25	1"	95	55	185	4.4	
32	1 1/4"	130	72	205	6.5	
40	1 1/2"	130	72	205	7	
50	2"	168	90	260	13	