



Vacuum Breaker VB 21

DESCRIPTION

The VB 21 vacuum breakers are simple and reliable devices that automatically relieve or “break” an unwanted vacuum condition, restoring the atmospheric pressure . This device is particularly suitable for steam heated units of small and medium volume as heat exchangers, heating coils, calorifiers, jacketed kettles, steam boilers, etc. Connections are female screwed.

USE: Saturated and superheated steam.

AVAILABLE

MODELS: VB 21

SIZES: 1/2”.

CONNECTIONS: Inlet 1/2” vertical
Outlet 1/8” horizontal
Female screwed ISO 7/1 Rp (BS21)

INSTALLATION: Vertical installation angled connection.
See IMI, installation and maintenance instructions.

PMO:Max.operating pressure 21 bar

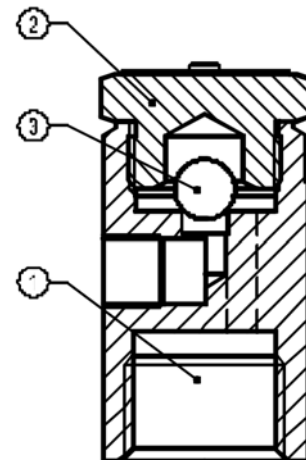
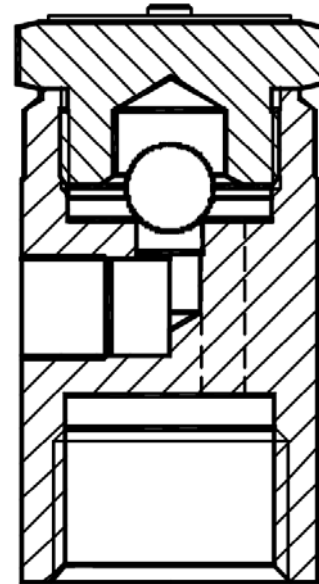
TMO:Max.operating temperature 250 °C

How to order: i.e. VB 21 DN 1/2” BSP

MATERIALS

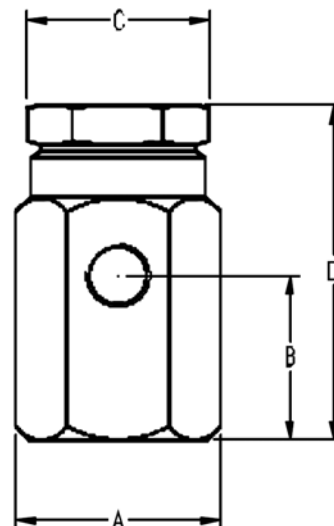
POS. NR	DESIGNATION	MATERIAL
1	Body	AISI 304
2	Cover	AISI 304
3 *	Ball Valve	Stainless Steel

* AVAILABLE SPARE PARTS



DIMENSIONS (mm)

SIZE DN	A	B	C	D	WEIGHT Kg
1/2"	32	26	26	52	0.17





INSTALLATION AND MAINTENANCE INSTRUCTIONS VB21 - VACUUM BREAKER

GENERAL

1. These instructions must be carefully read before any work involving products supplied by VALSTEAM ADCA ENGINEERING S.A. is undertaken.
2. The installation procedure is a critical stage in a life of a vacuum breaker and care should be taken to avoid damage to the valve or equipment.

Warning !

- At start up , the presence of small particles in the water (dirt,scale,weld splatters,etc) may cause an unperfect closure of the seat . If this occur, proceed to an accurate cleaning.
- Do not touch the equipment without appropriate protection during working operation because it may conduct heat if the used fluid is at high temperature.
- Before starting maintenance be sure that the equipment is not pressurized or hot .
- The equipments must be used within the working temperature and pressure limits laid down for them, otherwise they may fail (refer to nameplate and/or IS- Information Sheet).
- Do not remove the nameplate attached to the equipment. Serial number and other useful information is stamped on it.

INSTALLATION

1. Before to install remove plastic covers placed on flanges or connection ends. The equipment has an arrow or Inlet/Outlet designations. Be sure that it will be installed on the appropriate direction.
2. The VB must be installed in a vertical position with the system connection at the bottom.

MAINTENANCE

1. The ADCA vacuum breakers do not require any particular maintenance. Cleaning of the internal ball valve may became necessary from time to time. The cleaning intervals depend on the degree of contamination of the fluid. Examine ball valve and seat to ascertain the extend of any damage or service wear.
2. For further information refer to the relevant IS (Information Sheet) or consult our Sales Office.

Limiting conditions :

PMO:Max.operating pressure 21 bar
TMO:Max.operating temperature 250 °C

PARTS LIST FOR VB 21 - VACUUM BREAKERS

Code	Designation	Size	Pos.Nr.	Qty.
A.95.5500.015	Ball valve	DN1/2"	3	1

Recommended tightening torques :

Pos.Nr.	Size	Nm
Nrs.2	DN 1/2"	150

CE Marking :

This product have been designed for use on steam and water wich are in Group 2 of the PED-European Pressure Equipment Directive 97/23/EC and it comply with those requirements.
The product fall within category SEP and must not be CE marked.

